

### Residential Modular Steam Shower Systems

**IMPORTANT:** The following information should be used in conjunction with guidance from your electrician, plumber, architect and other contractors to determine a suitable and safe steam room environment. The following must be observed for safe and proper installation and operation.

1. Steam room must be completely enclosed with full walls ceiling, floor and door (note: a 1" gap should be left under the door)
2. It is recommended that the steam door is sealed on sides and top.
3. Make sure anti-slip surface stripping is applied for bathers safety.
4. No heating or air conditioning device should be installed inside the room.
5. Door should not contain a lock and should always open outward or sideways.
6. Before installation of generator, be sure the model is correct for incoming line voltage.
7. The below warnings should be posted outside of the steam room

#### **WARNING**

- Children under the age of 16 should not use steam bath
- Check with a physician before use of the steam bath if pregnant, have a coronary condition, or are in poor health, are being treated for any medical condition, or are under medication.
- Exit steam room immediately if feeling faint, dizzy or uncomfortable.
- Do not use the steam bath if you have recently consumed alcohol.
- Condensation and moisture may cause the steam bath floor and other surfaces to become slippery and dangerous. Installation of anti-skid material is recommended.
- **IMPORTANT** - read the manual for further safety information.

#### **General Rule - Locate the steam generator as close to the steam room as possible.**

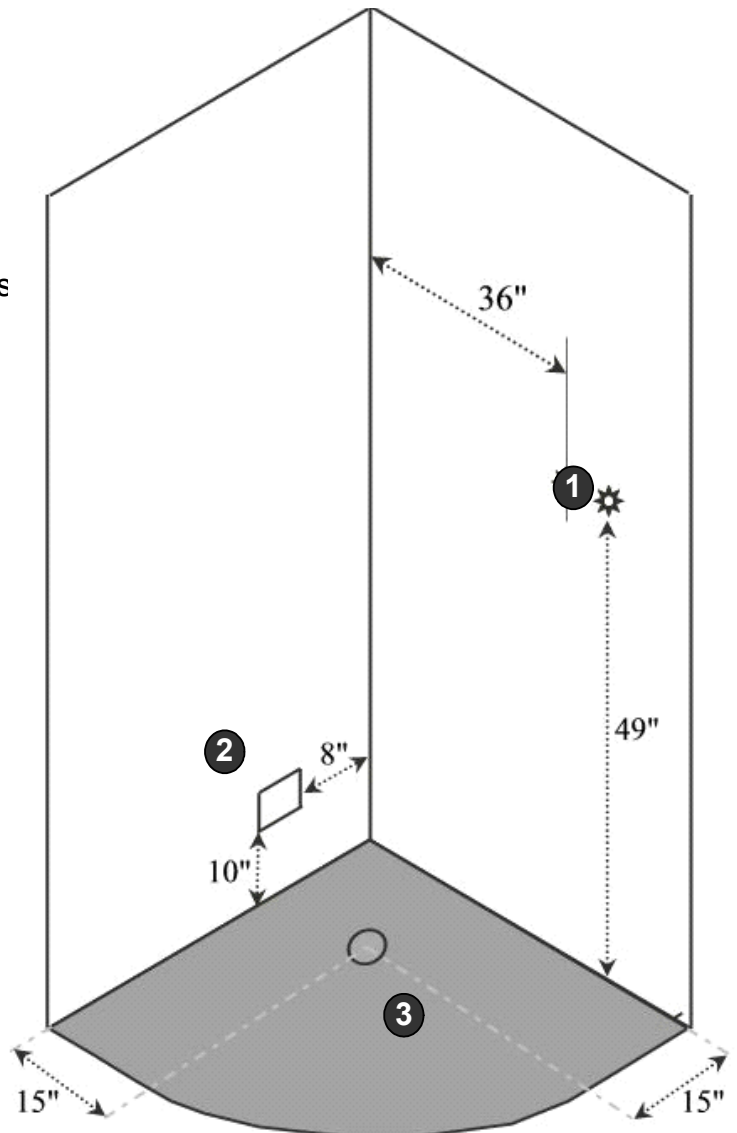


- The generator cannot be located inside the steam room or in an outdoors location or in a location exposed to cold conditions.
- The location must be in a dry place and away from daily contact of adults and children.
- Do not install generator near flammable or corrosive materials or chemicals.
- The unit must be within 10 ft of the steam room. Install generator in upright position only.
- Install anti-water hammer device as necessary
- Provide unions as required to facilitate installation and disconnection of piping.
- **WARNING:** Steam line, safety valve, drain valve, plumbing and steam-heads become hot during and after operation. Provide appropriate protection, including insulating plumbing lines. Avoid plumbing runs and steam head locations that can come in contact with bathers and people in general.

## E2 Shower Pre-installation Details

Before you begin assembling your new E2 steam shower, site preparation will make the installation go smoothly.

- 1** Your water connections should be approximately 36" from the back wall and 49" from the floor. It is advised to use flexible tubing (that meets your local code) that provides at least 18" of length that will allow you to connect the water lines while the unit is spaced from the wall for assembly purposes. Plumbing must be performed according to local codes and by a licensed professional.
- 2** The power connection for your Scandia E2 feeds the entire electrical system. The power feeds should be located according to the below listed parameters. The electrical connection must be done according to local codes and by a licensed professional.
- 3** In order to provide a direct drain to the plumbing system. Prepare the shower drain location according to the specifications below. The E2 drainage system includes a full hardware installation kit. Local codes may vary so it is important to anticipate these requirements in order to make drain modifications if necessary.



Water Line Size	1/2 Inch
-----------------	----------

Drain Size	2 inch
------------	--------

Power Feed	KW	Voltage	Phase	Amps	Breaker
12AWG	3	240	1	13.5	20A

**NOTE:** all electrical and plumbing connections must be done by a licensed professional and according to local codes.

## E2 Shower Accessories Installation

**1** Step 1 : Place base near location - allow room away from the wall for completing assembly before moving into place. On the base, adjust unit legs with a wrench to desired height. This unit is designed to be located on uneven surfaces by adjusting the legs

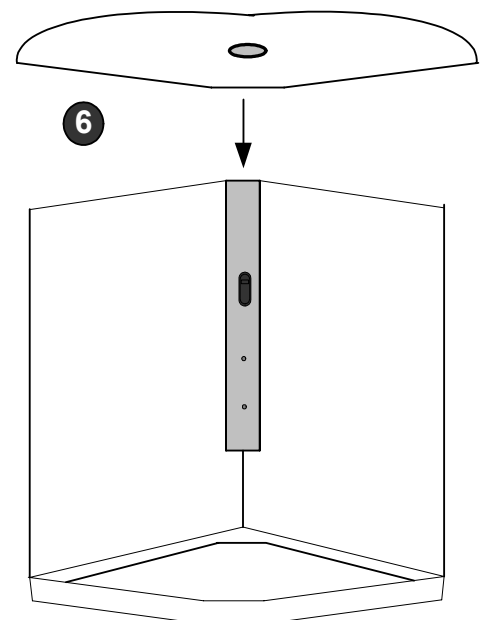
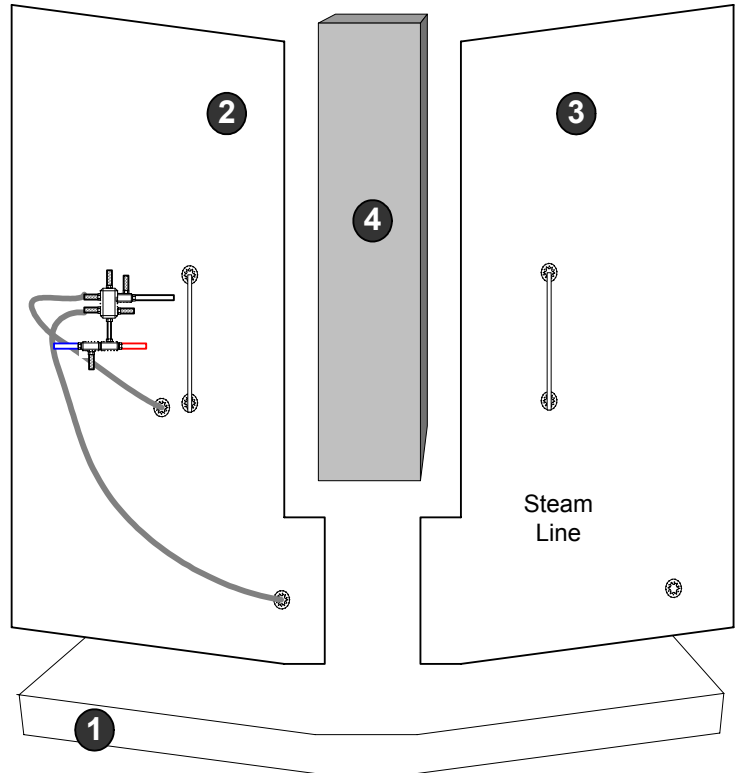
**2** Step 2&3: Place back wall panels into place. Fasten the panels at the base, lower center section should not be fastened until center panel is in place.

**3**

**4** Step 4: Remove center panel plexi-glass back covers. Place center panel per illustration. Line up conduit holes and place black rubber conduit hole protectors in place.

**5** Step 5: Screw together all three above panels, also screwing to the shower base.

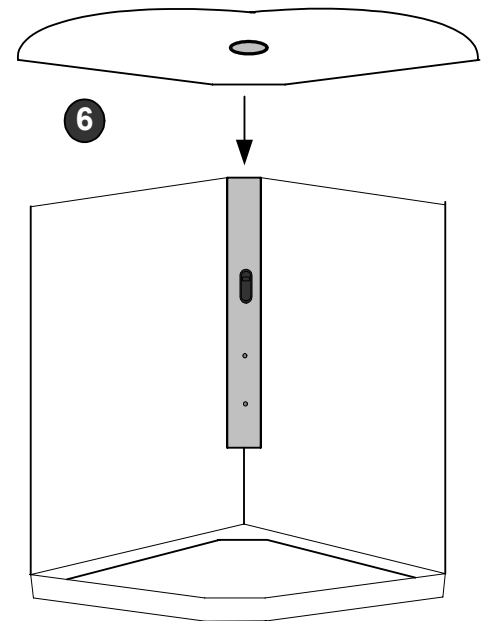
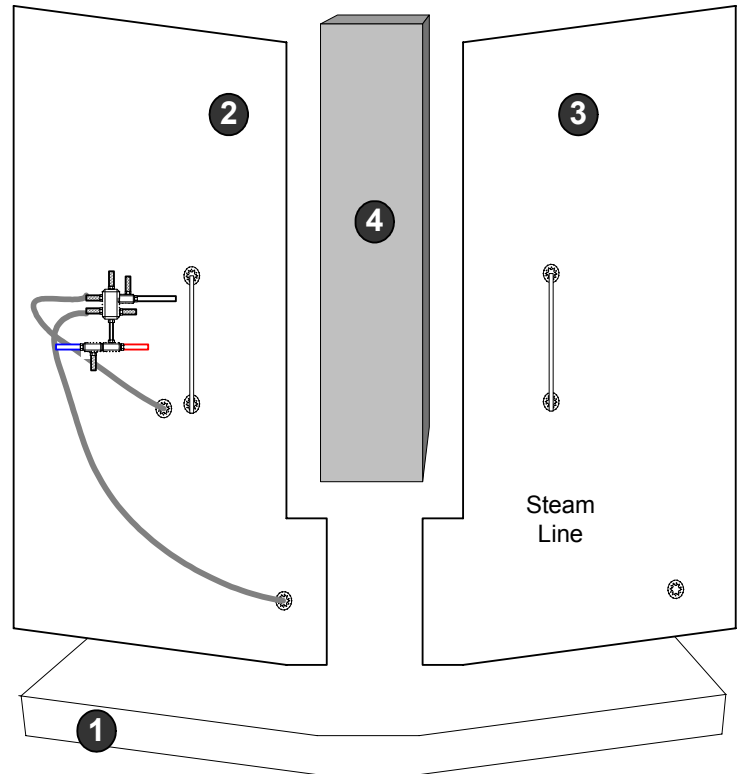
**6** Step 6: Put shower roof in place. Insert roof screws into the back panel locations but do not tighten. Roof screws must remain loose till front glass and door panels are put into place.



**NOTE:** all electrical and plumbing connections must be done by a licensed professional and according to local codes.

## E2 Shower Accessories Installation

- 1** Step 1 : Place base near location - allow room away from the wall for completing assembly before moving into place. On the base, adjust unit legs with a wrench to desired height. This unit is designed to be located on uneven surfaces by adjusting the legs
- 2** Step 2&3: Place back wall panels into place. Fasten the panels at the base, lower center section should not be fastened until center panel is in place.
- 3**
- 4** Step 4: Remove center panel plexi-glass back covers. Place center panel per illustration. Line up conduit holes and place black rubber conduit hole protectors in place.
- 5** Step 5: Screw together all three above panels, also screwing to the shower base.
- 6** Step 6: Put shower roof in place. Insert roof screws into the back panel locations but do not tighten. Roof screws must remain loose till front glass and door panels are put into place.



**NOTE:** all electrical and plumbing connections must be done by a licensed professional and according to local codes.

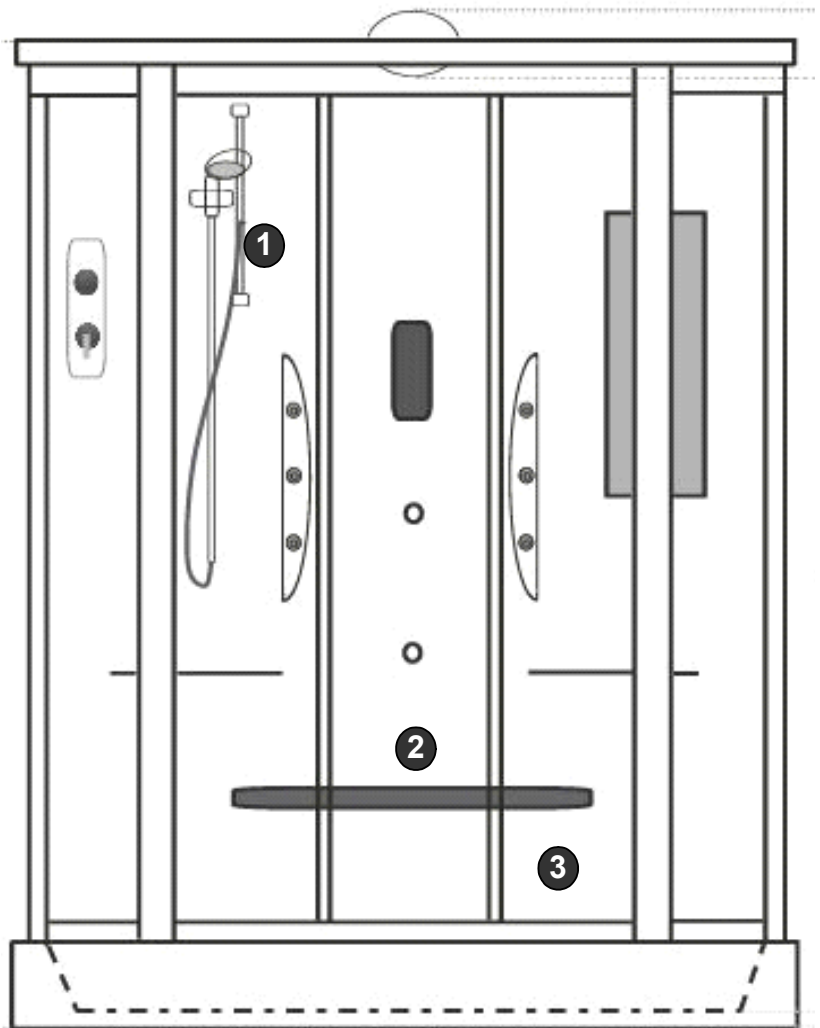
## E2 Shower Accessories Installation

Most components to your Scandia E2 steam shower come pre assembled, however there are a few components you must install on-site.

**1** Your shower head and water line connections must be installed. From the accessories box, connect the shower head with the water-line hose. Connect the other end of the water line hose to the shower head connection located on the right-hand seat panel.

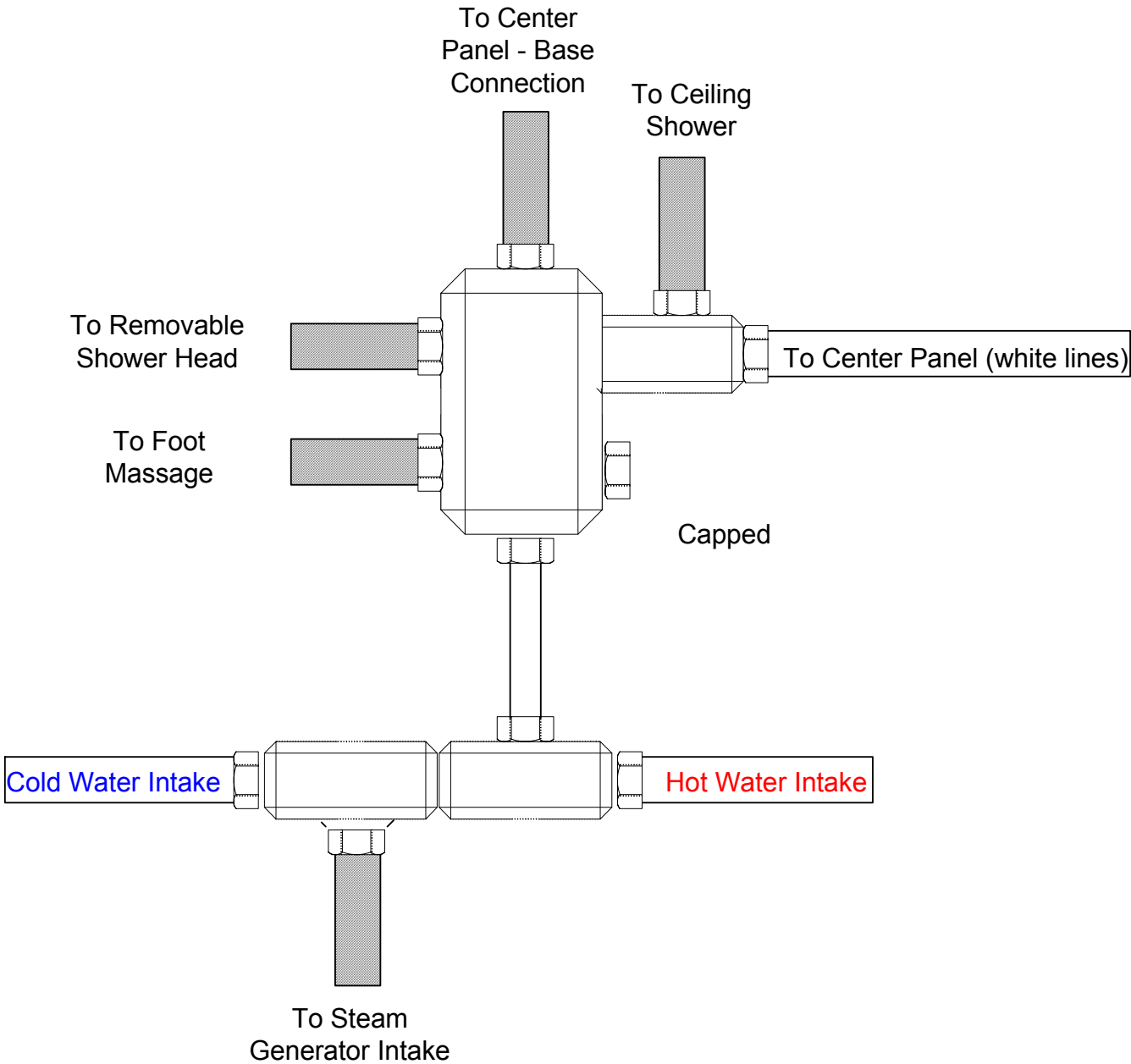
**2** The E2 comes with an extra large seat bench that provides ample seating for two adults. The seat is stylish and made of solid mahogany wood. The seat connection points are located on the seat platforms on each of the side panels. These bolts must be fastened tightly to secure the seat.

**3** The Scandia foot massager is engaged by water pressure. This unit is controlled by the control panel in the shower. Connect the water line feed of the foot massager to the water connection head located at the base of the right-hand seat panel. There are two mounting brackets for the foot massager that allows for easy detachment and replacement.



**NOTE:** all electrical and plumbing connections must be done by a licensed professional and according to local codes.

# E2 Steam Shower Water-line Overview

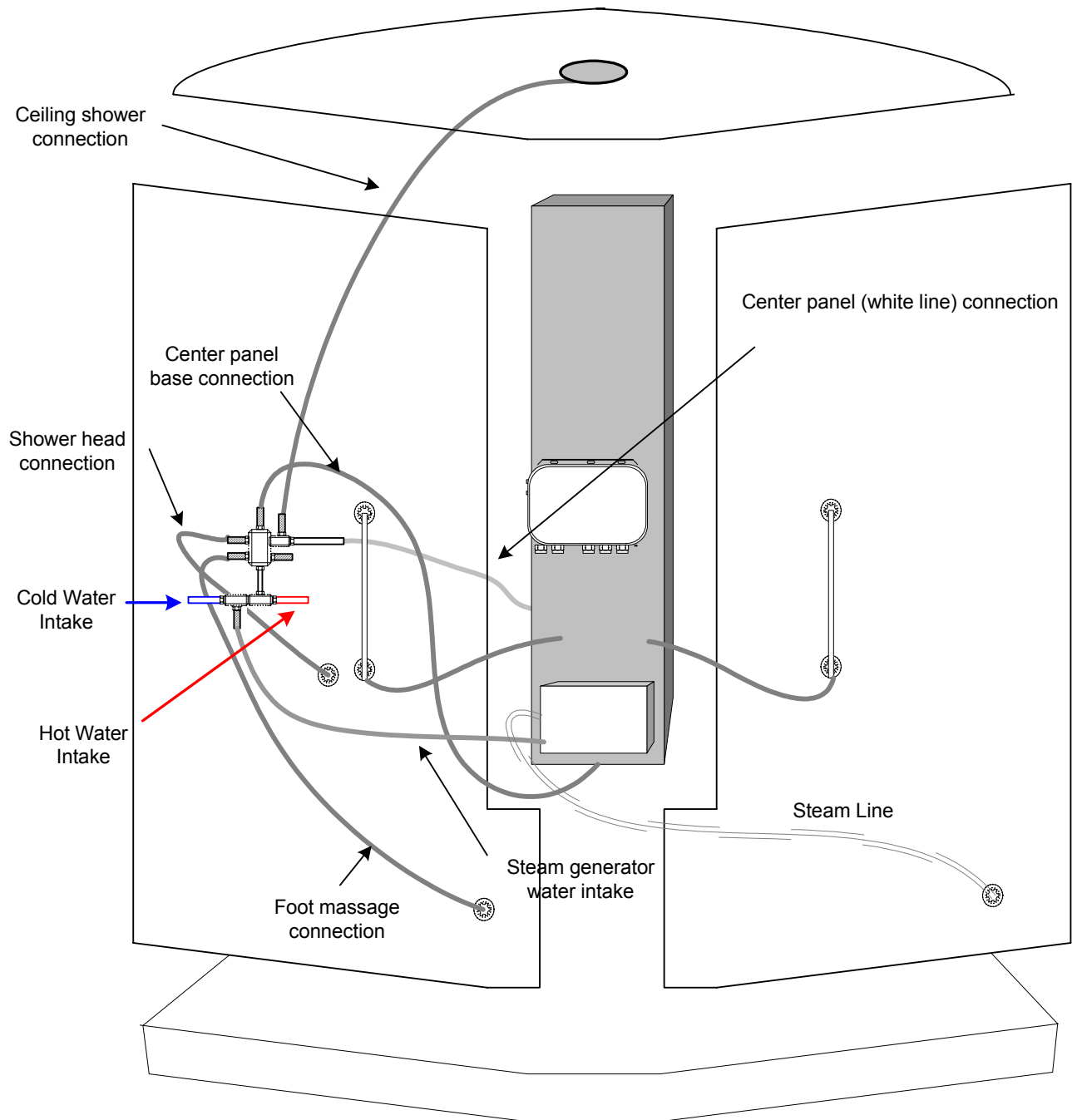


(Scandia E-200 II, Water-line Overview)

NOTE: all electrical and plumbing connections must be done by a licensed professional and according to local codes.

## E2 Steam Shower Water Line Map

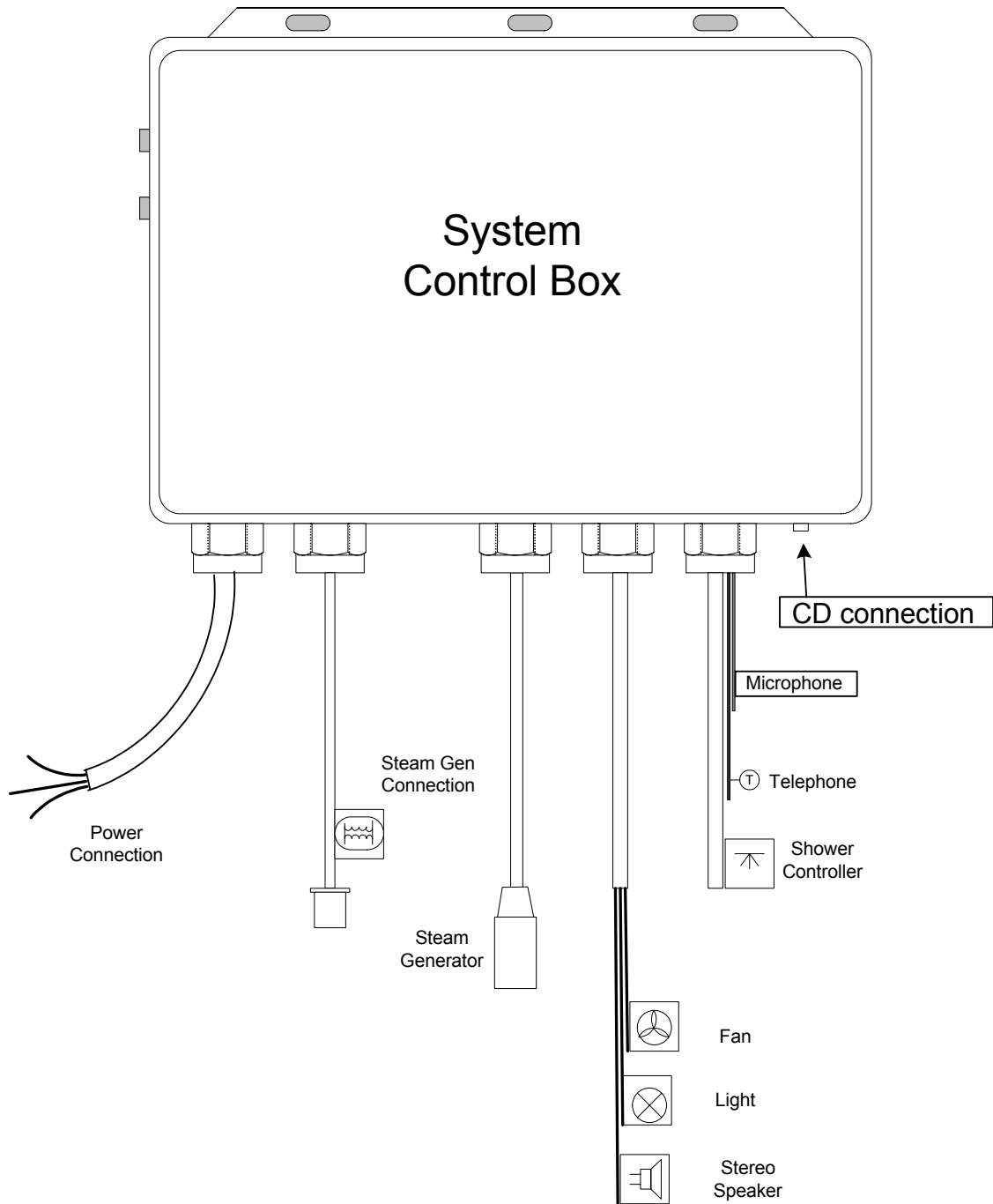
Referencing the waterline overview, each connection is pre-labeled. Connect all lines according to the corresponding labels. Below shows the direction/location of each water-line highlighted in the overview. Be sure to double check all connections to be sure they are tight before turning on water.



**NOTE:** all electrical and plumbing connections must be done by a licensed professional and according to local codes.

## E2 Steam System Control Box

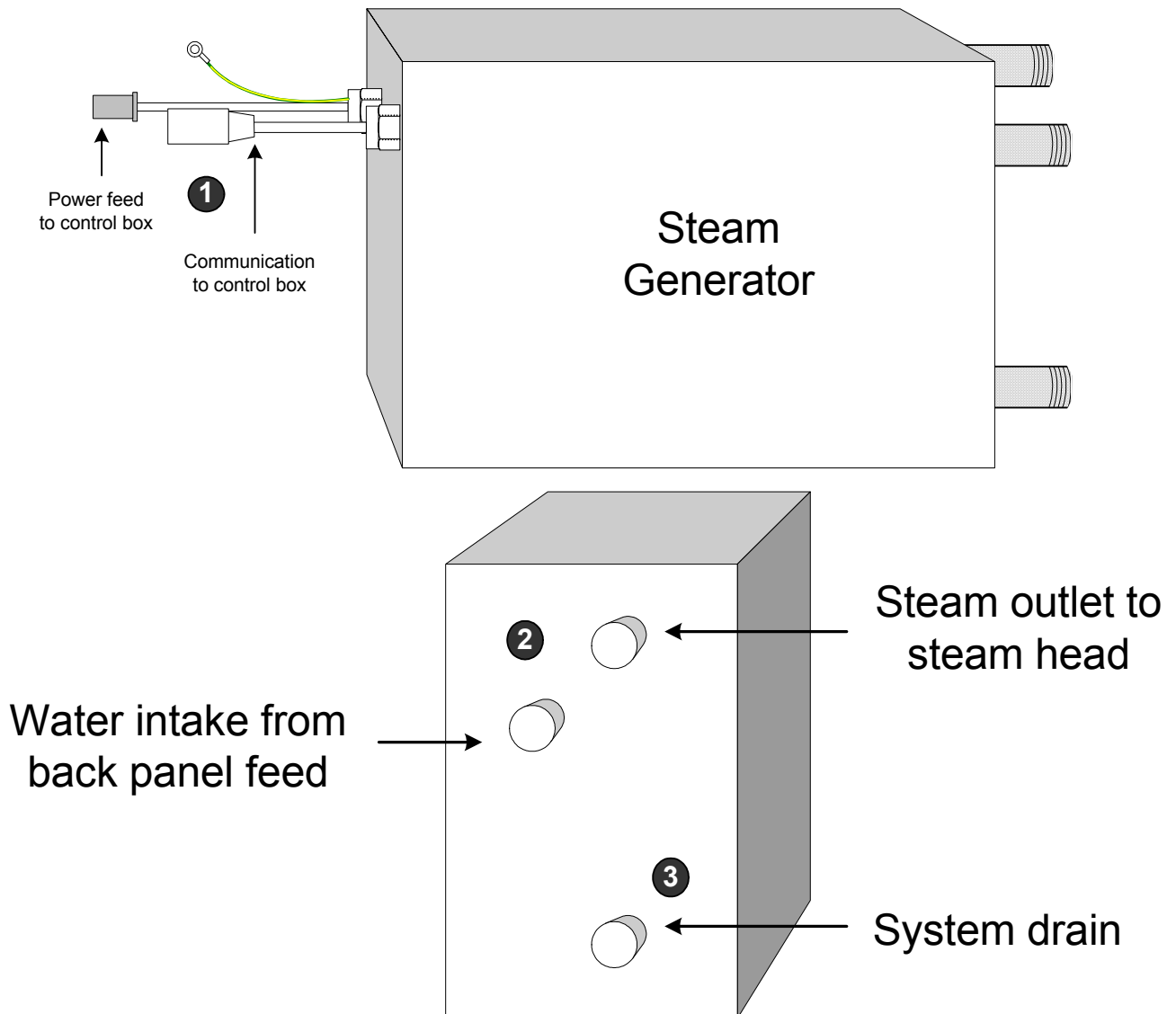
Your Scandia E2 steam shower is computer controlled. This System Control Box provides all communication distribution from the digital interface located inside the steam room. All connections for your System Control Box are clearly labeled and have similar corresponding connection types and labeling. Three mounting screws are provided for secure mounting of the box. Once mounted. Connect all electrical components, all connections should be done before connecting main power feeds.



## E2 Steam System Control Box

Your Scandia E2 steam generator is controlled from the digital interface within the shower cabin.

- 1** Connect the power and communication feeds from the System Control box to the terminals on the steam generator.
- 2** Connect the water feed from the back panel system and connect the steam line tubing to the steam head connection on the back panel. Note: in many areas, local code specifies the type of material used for steam-lines. Make sure your plumber uses accepted materials for the steam line feed.
- 3** The system is equipped with an auto-drain, the drain feed must be plumbed to the steam room or drain infrastructure. The location must be so that the hot water from the drain system cannot burn the bathers.



## Digital Control Interface

Your Scandia E2 system is controlled from within the shower with the digital control panel or remotely with the remote control device. The below illustrations indicate all functions of the digital controls.

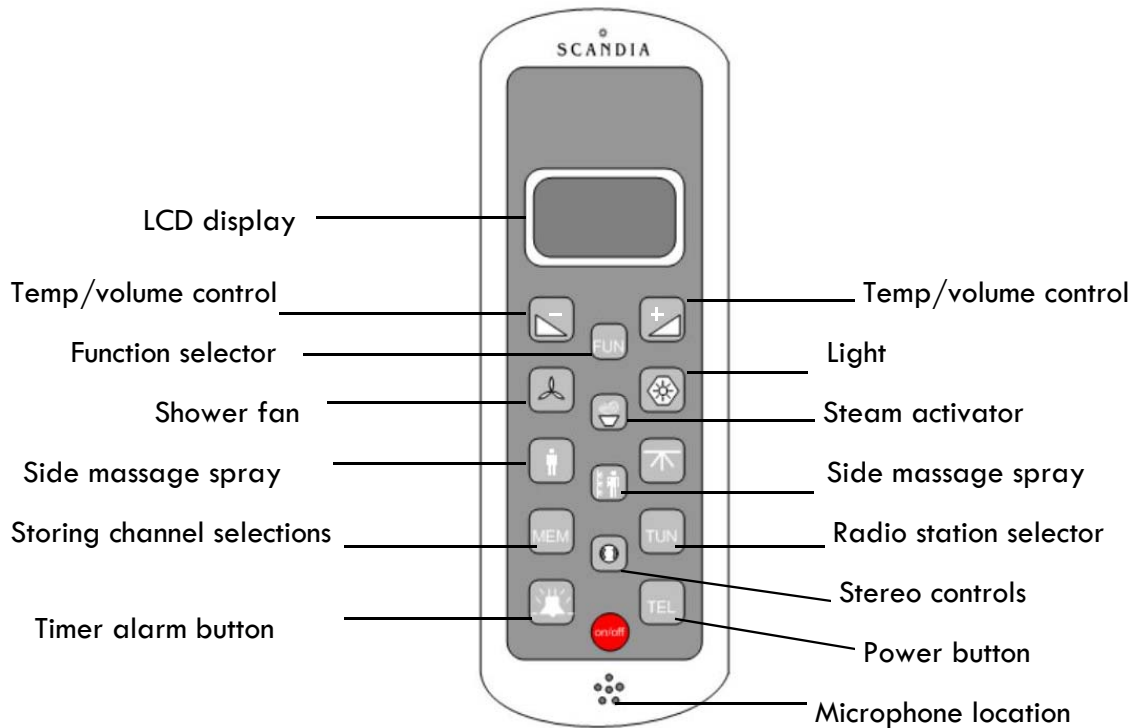


Illustration #1

Your E2 steam shower comes with an integrated telephone that allows you to make and receive phone calls from within the shower in a hands free fashion. When the telephone function is selected, the keypads with corresponding numbers are used to dial the phone. Illustration #2 shows the location of the telephone number keys.



Illustration #2