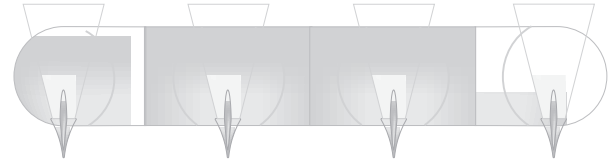




BATH COLLECTION



GENERAL PRODUCT INFORMATION:



This product can mount to either a 4" square electrical box with round plaster ring or an octagon electrical box.

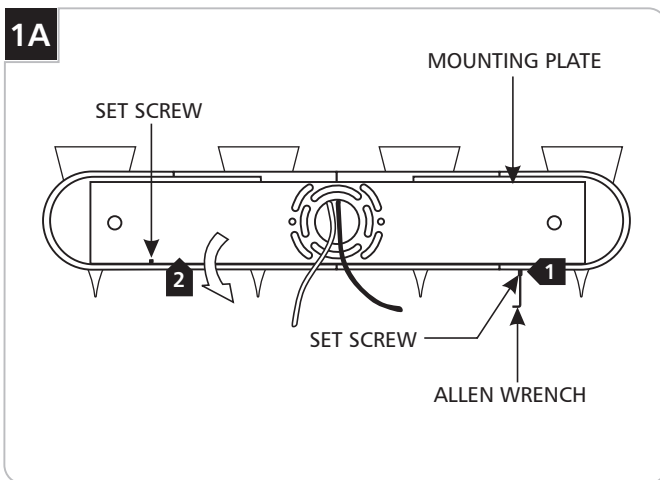
This product is suitable for indoor dry locations only.

This product can be dimmed with a standard incandescent dimmer.

This instruction shows a typical quad size installation.

**CAUTION—RISK OF FIRE**  
 This product requires installation by a qualified electrician. Before installing be sure to read all instructions and **TURN THE POWER TO THE ELECTRICAL BOX OFF.**

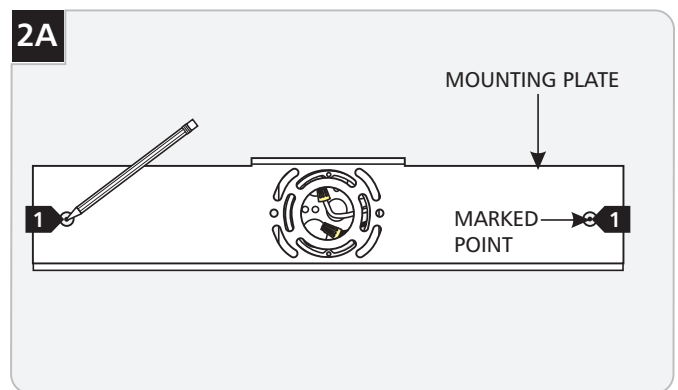
Remove the Mounting Plate



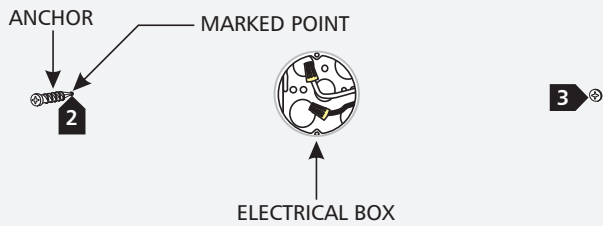
- 1** With the Allen wrench provided, back out (do not fully remove) the set screws at the base of the vanity.
- 2** Remove the vanity mounting plate by pulling the bottom of the mounting plate out and then down.

Install the Anchors

**NOTE:** These steps apply only for quad size vanity. Omit this procedure for triple or double size vanity.

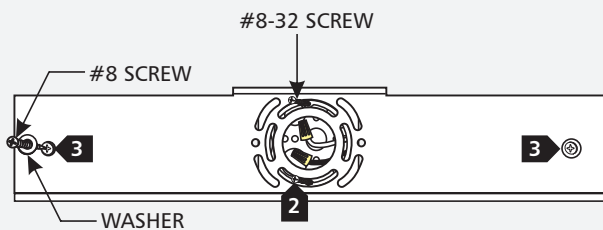


- 1** Hold the mounting plate against the electrical box. Line up the mounting plate holes with the electrical box holes. Level the mounting plate horizontally and mark two points onto the wall through the mounting holes.

**2B**

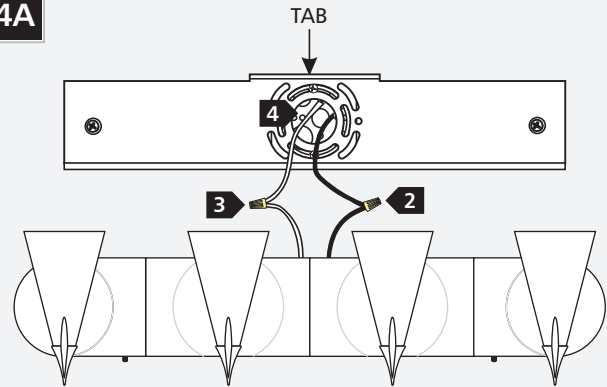
- 2 With a hammer tap the anchors at the marked points up to the threaded portion.
- 3 Screw the anchors in the rest of the way with a Phillips screwdriver.

## Install the Mounting Plate

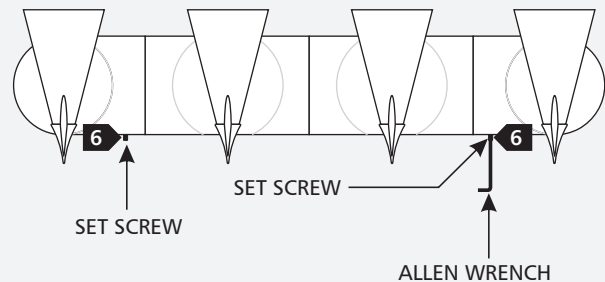
**3A**

- 1 Line up two mounting plate slots with the two electrical box holes.
- 2 Level the mounting plate horizontally and secure it to the electrical box with the two #8-32 screws provided.
- 3 For quad size vanity, secure the mounting plate to the anchors with #8 screws and washers provided.

## Install the Vanity

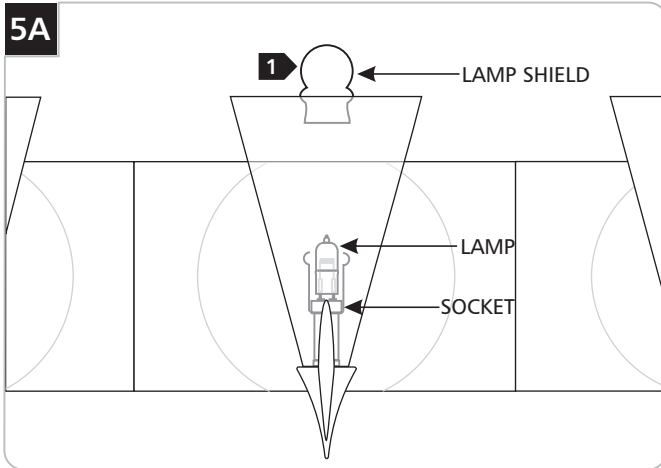
**4A**

- 1 Make sure that the mounting plate is grounded in accordance with local electrical codes.
- 2 Connect the black vanity wire to the hot power line wire with a wire nut.
- 3 Connect the white vanity wire to the neutral power line wire with a wire nut.
- 4 Properly place all wires into the electrical box.

**4B**

- 5 Hook the top of the vanity base over the mounting plate tab.
- 6 Line up the vanity on the wall and then secure it to the mounting plate by tightening the set screws at the base with Allen wrench provided.

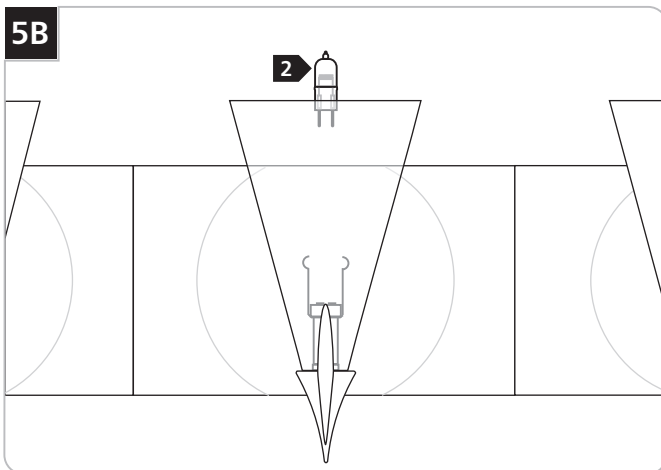
# Replacing the Lamp



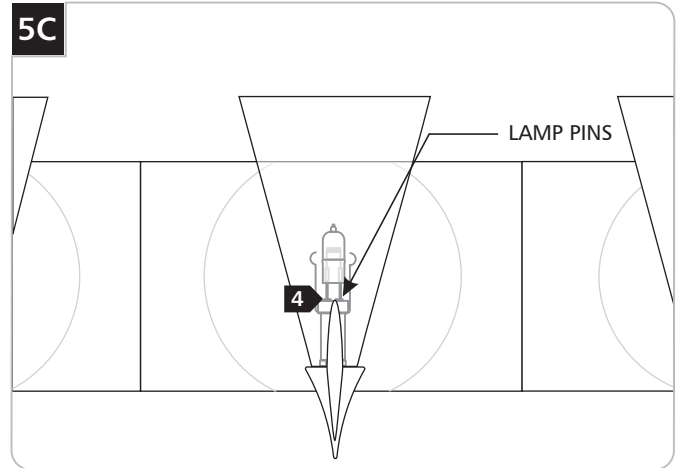
**CAUTION:** To reduce the risk of a burn or electric shock during relamping, disconnect the power to the fixture by turning the wall switch off.

**NOTE:** Use only your fingers and a soft cloth to replace the lamp.

**1** Pull out the lamp shield.



**2** Pull out the old lamp.

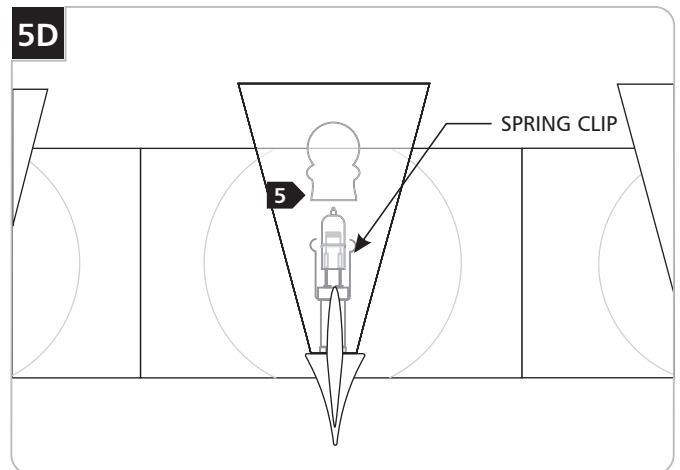


Use **MAX 50 Watt, Bi-Pin Halogen Lamp.**



**3** Handle the new replacement lamp with a soft cloth to prevent the natural oils on the fingertips from collecting on the lamp. This will help extend the life of the lamp.

**4** Push the lamp pins firmly all the way into the socket holes.



**5** Push the lamp shield onto the spring clip.

## IMPORTANT SAFETY INSTRUCTIONS

*To reduce the risk of fire, electrical shock, exposure to excessive UV radiation, or injury to person:*

- Use this fixture indoors only.
- Do not look directly at the lighted lamp.
- Do not remain in light if skin feels warm.
- Risk of fire: Use only the type of lamp and maximum wattage indicated in this instruction manual.
- Never cover the halogen lamp with anything other than a Tech Lighting lamp shield and never place flammable material close to your fixture.
- Never turn the fixture on and off by connecting and disconnecting the halogen lamp.
- Do not touch the fixture shades or lamp shield while the fixture is on. These surfaces may be HOT.

## Halogen Lamp General Information

- A new halogen lamp may smoke slightly when it is used for the first time. This is perfectly normal; the protective coating is simply being vaporized.

## Two Tips For Prolonging Halogen Lamp Life

- First avoid touching the lamp with bare hands during installation. Any contaminant, even the oil from your hands can deteriorate the lamp. Rubbing alcohol can be used to remove any contaminant.
- Second, do not run the lamps at full power when you do not need to. However, if dimming the fixture for an extended period of time, occasionally bring the light up to full brightness for a few minutes to complete the halogen cycle.

**SAVE THESE INSTRUCTIONS!**



**TECH LIGHTING®**

7400 Linder Ave.  
Skokie, IL 60077  
847.410.4400

[www.techlighting.com](http://www.techlighting.com)