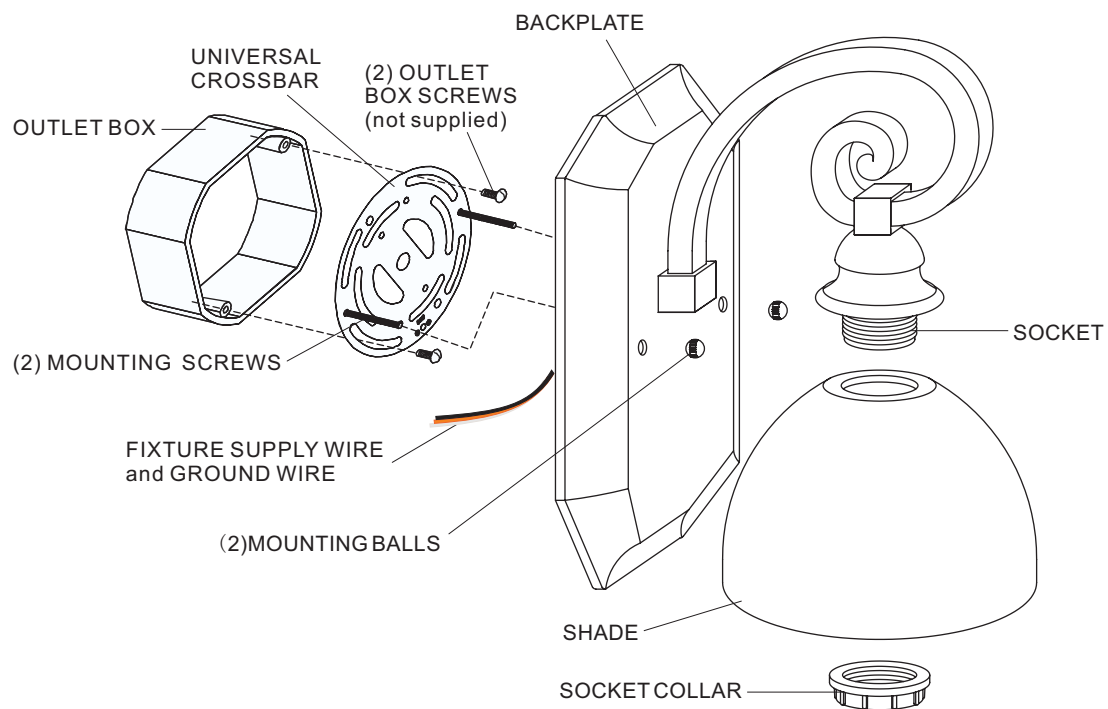


## INSTALLATION INSTRUCTIONS



1. Before beginning the installation, carefully unpack and identify all parts, referring to illustration.
2. Turn the electrical power to installation point OFF at circuit breaker .
3. Place the CROSSBAR on the BACKPLATE and align the holes in the BACKPLATE with a set of threaded holes in the CROSSBAR. Install the (2) MOUNTING SCREWS in the aligned threaded holes on the CROSSBAR. Next, mount the CROSSBAR to the outlet box with (2) OUTLET BOX SCREWS (not provided).
4. **Make the connections:**  
Use wire connectors(not supplied) connect the HOUSE GROUND to the FIXTURE GROUND WIRE ; attach the HOUSE WHITE WIRE to FIXTURE WHITE (or RIBBED SIDE) SUPPLY WIRE; connect the HOUSE BLACK (or RED) WIRE to the FIXTURE BLACK(or SMOOTH SIDE) WIRE. Wrap each connection with approved electrical tape.
5. Carefully tuck all wires into the WALL MOUNTED OUTLET BOX and position the fixture over the outlet box. Align the HOLES in the BACKPLATE with the ( 2 ) MOUNTING SCREWS attached to the UNIVERSAL CROSSBAR. Pass the fixture over the ( 2 ) MOUNTING SCREWS and secure against by threading ( 2 ) MOUNTING BALLS onto end of screw. Tighten until snug.
6. Position the SHADE over the SOCKET as shown. Secure the SHADE by threading the SOCKET COLLAR onto the SOCKET. Hand tighten until snug.
7. Install the correct bulb referring to the fixture markings and/or labels for maximum wattage.
8. Restore power to the installation point ON. Retain this sheet for future reference.

**IF IN DOUBT ABOUT ELECTRICAL INSTALLATION,  
CONSULT A LICENSED ELECTRICIAN!**